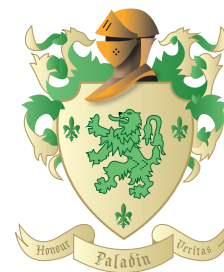


Churchill Cast Iron

350mm High

Specialist UK Manufacturer of Cast Iron Radiators



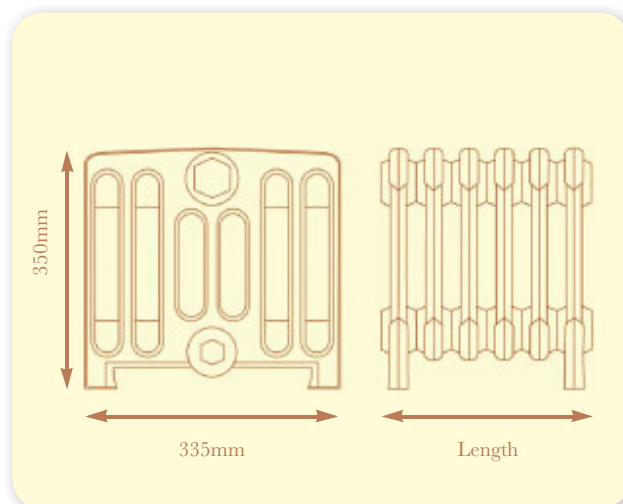
Paladin Radiators

Our Churchill cast iron radiator is suitable for low bay windows and conservatories as well as loft conversions and for all rooms with low roof elevations. Our Churchill cast iron radiator lends itself for both contemporary and traditional settings and many of our clients have utilised this radiator with the idea of building a bench over it for extra seating in hallways, utility rooms and bay windows. For such a low standing radiator at 350mm high the heat efficiency of the Churchill cast iron radiator is excellent.

A traditional Victorian cast iron radiator carefully recreated to be an exact copy of the original, a timeless classic.



Code	Sections	Length (mm)	Output		Weight (Kg)	Water Content (Ltr's)
			75 / 65 / 20 Watts	BTU's		
CHUR-350-03	3	221	350	1194	21.6	3.3
CHUR-350-04	4	283	467	1592	28.8	4.4
CHUR-350-05	5	345	583	1990	36.0	5.5
CHUR-350-06	6	407	700	2388	43.2	6.6
CHUR-350-07	7	469	817	2786	50.4	7.7
CHUR-350-08	8	532	933	3184	57.6	8.8
CHUR-350-09	9	594	1050	3582	64.8	9.9
CHUR-350-10	10	656	1166	3980	72.0	11.0
CHUR-350-11	11	718	1283	4378	79.2	12.1
CHUR-350-12	12	780	1400	4776	86.4	13.2
CHUR-350-13	13	843	1516	5174	93.6	14.3
CHUR-350-14	14	905	1633	5572	100.8	15.4
CHUR-350-15	15	967	1750	5970	108.0	16.5
CHUR-350-16	16	1029	1866	6368	115.2	17.6
CHUR-350-17	17	1091	1983	6766	122.4	18.7
CHUR-350-18	18	1154	2100	7164	129.6	19.8
CHUR-350-19	19	1216	2216	7562	136.8	20.9
CHUR-350-20	20	1278	2333	7960	144.0	22.0
CHUR-350-21	21	1340	2450	8358	151.2	23.1
CHUR-350-22	22	1402	2566	8756	158.4	24.2
CHUR-350-23	23	1465	2683	9154	165.6	25.3
CHUR-350-24	24	1527	2800	9552	172.8	26.4
CHUR-350-25	25	1589	2916	9950	180.0	27.5
CHUR-350-26	26	1651	3033	10348	187.2	28.6
CHUR-350-27	27	1713	3149	10746	194.4	29.7
CHUR-350-28	28	1776	3266	11144	201.6	30.8
CHUR-350-29	29	1838	3383	11542	208.8	31.9
CHUR-350-30	30	1900	3499	11940	216.0	33.0
CHUR-350-31	31	1962	3616	12338	223.2	34.1
CHUR-350-32	32	2024	3733	12736	230.4	35.2
CHUR-350-33	33	2087	3849	13134	237.6	36.3
CHUR-350-34	34	2149	3966	13532	244.8	37.4
CHUR-350-35	35	2211	4083	13930	252.0	38.5
CHUR-350-36	36	2273	4199	14328	259.2	39.6
CHUR-350-37	37	2335	4316	14726	266.4	40.7
CHUR-350-38	38	2398	4433	15124	273.6	41.8
CHUR-350-39	39	2460	4549	15522	280.8	42.9
CHUR-350-40	40	2522	4666	15920	288.0	44.0



Tel: 01205 280354

sales@paladinradiators.com

Paladin Radiators Workshop, E.T Morris
Transport Hub, Langrick Road, New York,
Lincolnshire, LN4 4XH

Lengths quoted are given in good faith, are overall including bush ends. However, due to the nature of the manufacturing process tolerances can and should be expected. Quoted dimensions should therefore only be used as a guideline.